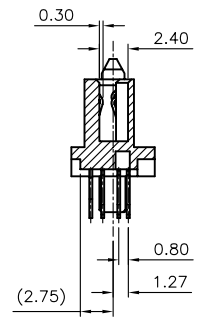
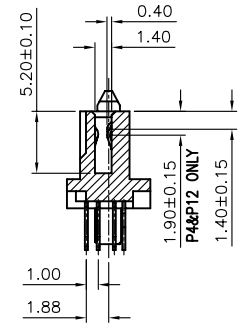
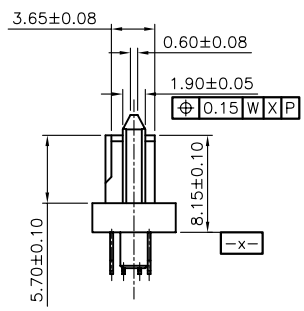
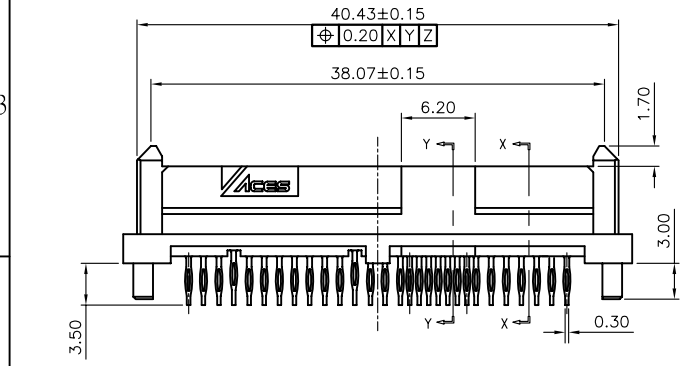


RECOMMENDED PCB LAYOUT
THICKNESS: 2.67mm-3.175mm

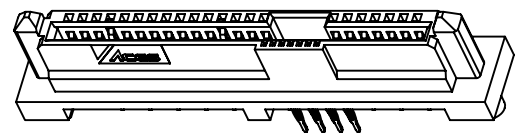
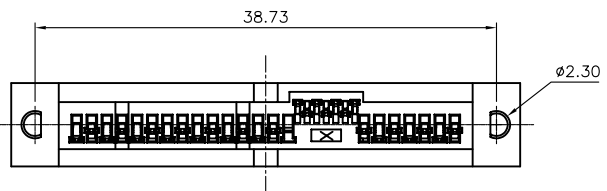
- NOTES:
 1. MATERIAL:
 1.1 HOUSING: THERMOPLASTIC, UL94V-0; COLOR: BLACK.
 1.2 CONTACT: PHOSPHOR BRONZE THICKNESS: 0.25mm
 2. FINISH:
 2.1 CONTACT:
 50u" MIN. NICKEL PLATING OVERALL
 H: 30u" GOLD PLATING ON CONTACT AREA
 100u" MIN MATT TIN PLATING ON SOLDER TAIL
 3. WAVE SOLDER CAPABLE TO 260° C
 PER ACES SPEC.
 4. SPEC. PLS. REFER TO PS-50910-XXXX-XXX
 5. PACKAGE PLS. REFER TO 50910-XXXX-TRAY
 6. PART NUMBER

50910-XXX X X-XXX		XXX	HOUSING COLOR	HALOGEN FREE
NO OF CKT	029 : 29PIN	001	BLACK	HF
PACKING		PLATING		
2:Tray		H: 30u" GOLD PLATING ON CONTACT FOR LEAD-FREE (MATT TIN)		



SECTION X-X

SECTION Y-Y



一般公差 TOLERANCES X ±0.50 XX ±0.15 X ±0.25 XXX ±0.10 ANGLES ±1°		宏致電子股份有限公司 Aces Electronic Co.,Ltd.	
檢驗尺寸標示 SYMBOLS ⊕ ⊕ INDICATE CLASSIFICATION DIMENSION ⊕ MARK IS CRITICAL DIM. ⊕ MARK IS MAJOR DIM. 表面處理 (FINISH)	品名 (TITLE) SAS RECEPTACLE STAGGER PRESS-FIT S/T T/H TYPE 圖號 (DWG.NO) 50910-XXXX-XXX 比例 (SCALE) 單位 (UNITS) 2:1 mm	製圖 (DR) 09/07/07 審核 (CHKD) WGCH 核准 (APPD) JASON 張數 (SHEET) 1 OF 1 尺寸 (SIZE) A4 版次 (REV) 0	huamin 5